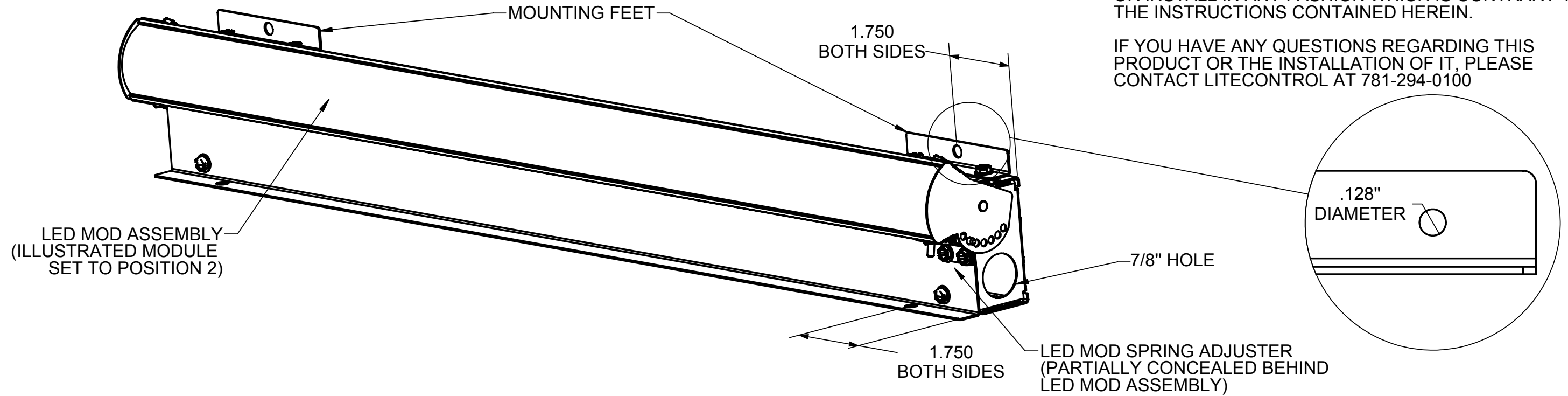
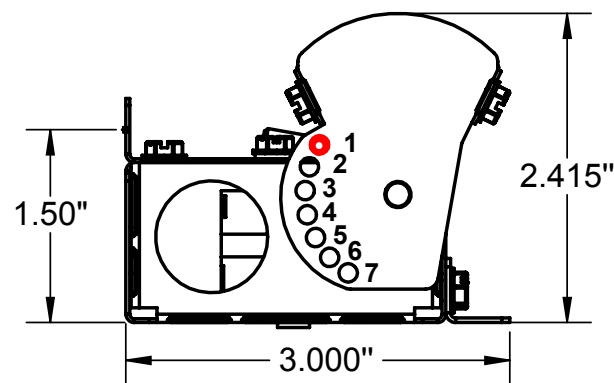


DO NOT MODIFY OR ALTER THIS PRODUCT IN ANY WAY, OR INSTALL IN ANY FASHION WHICH IS CONTRARY TO THE INSTRUCTIONS CONTAINED HEREIN.

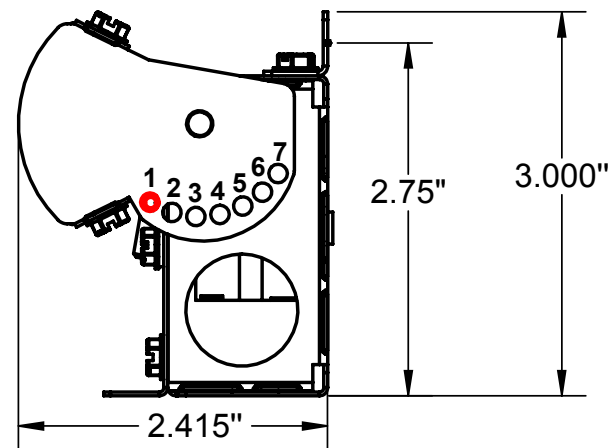
IF YOU HAVE ANY QUESTIONS REGARDING THIS PRODUCT OR THE INSTALLATION OF IT, PLEASE CONTACT LITECONTROL AT 781-294-0100



HORIZONTAL MOUNTING POSITION



VERTICAL MOUNTING POSITION



POSITION	ANGLE (DEGREES)	HEIGHT	WIDTH
1	0	shown above	shown above
2	15	3.160"	2.404"
3	30	3.277"	2.369"
4	45	3.439"	2.314"
5	60	3.494"	2.242"
6	75	3.529"	2.043"
7	90	3.540"	1.916"

POSITION	ANGLE (DEGREES)	HEIGHT	WIDTH
1	90	shown above	shown above
2	75	2.404"	3.160"
3	60	2.369"	3.277"
4	45	2.314"	3.439"
5	30	2.242"	3.494"
6	15	2.043"	3.529"
7	0	1.916"	3.540"

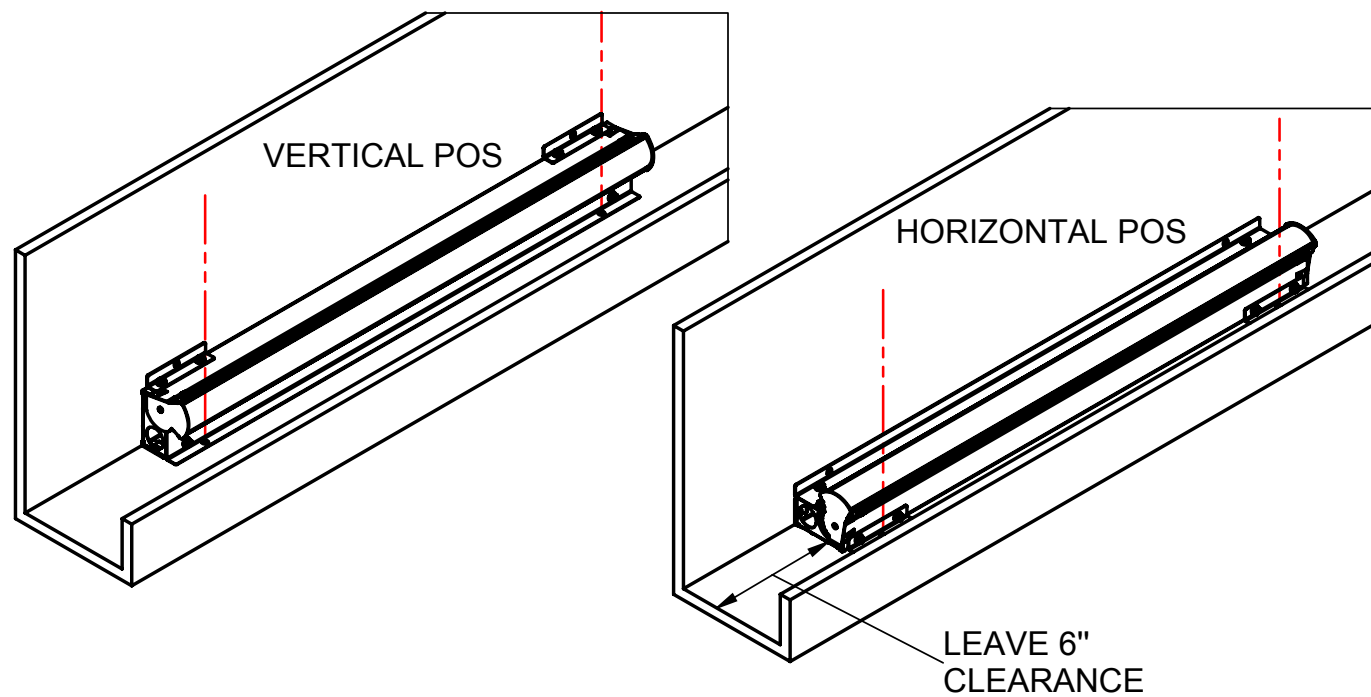
Tools Required

-Screwdriver/drill

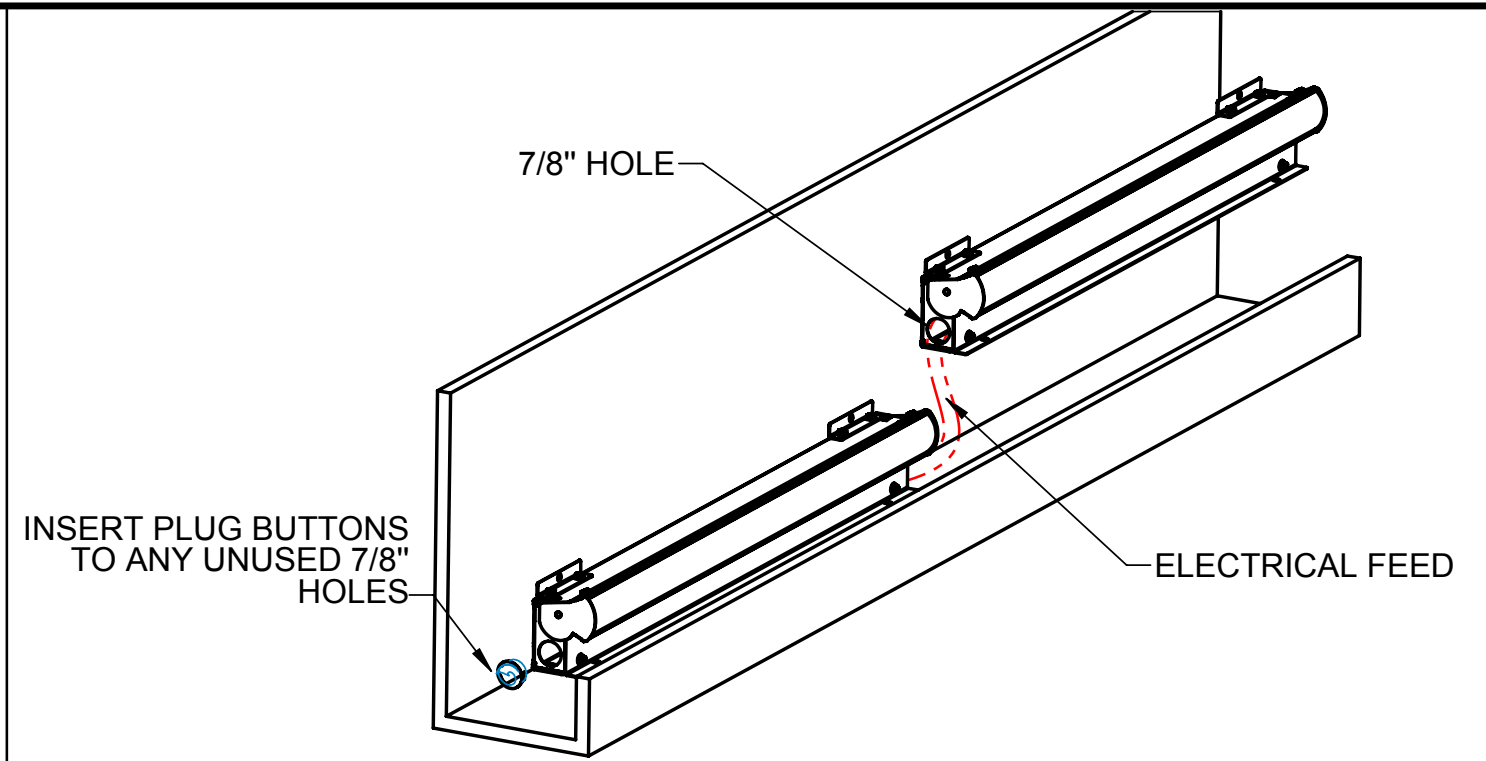
Supplied by Contractor

-Mounting screws

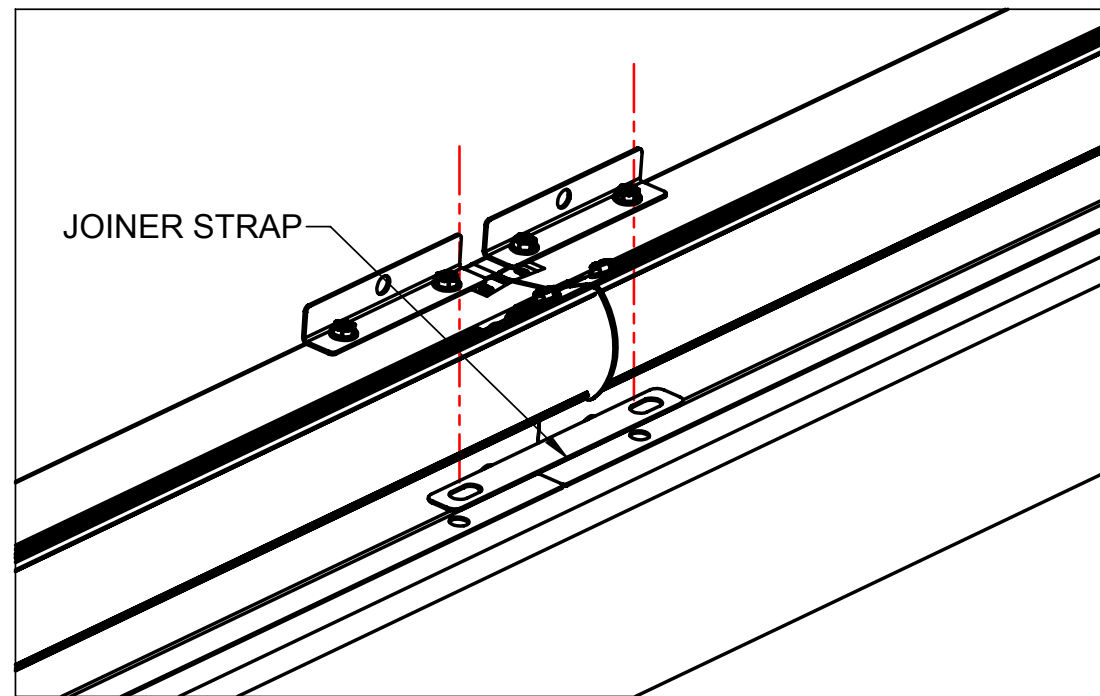
FIXTURE INSTALLATION



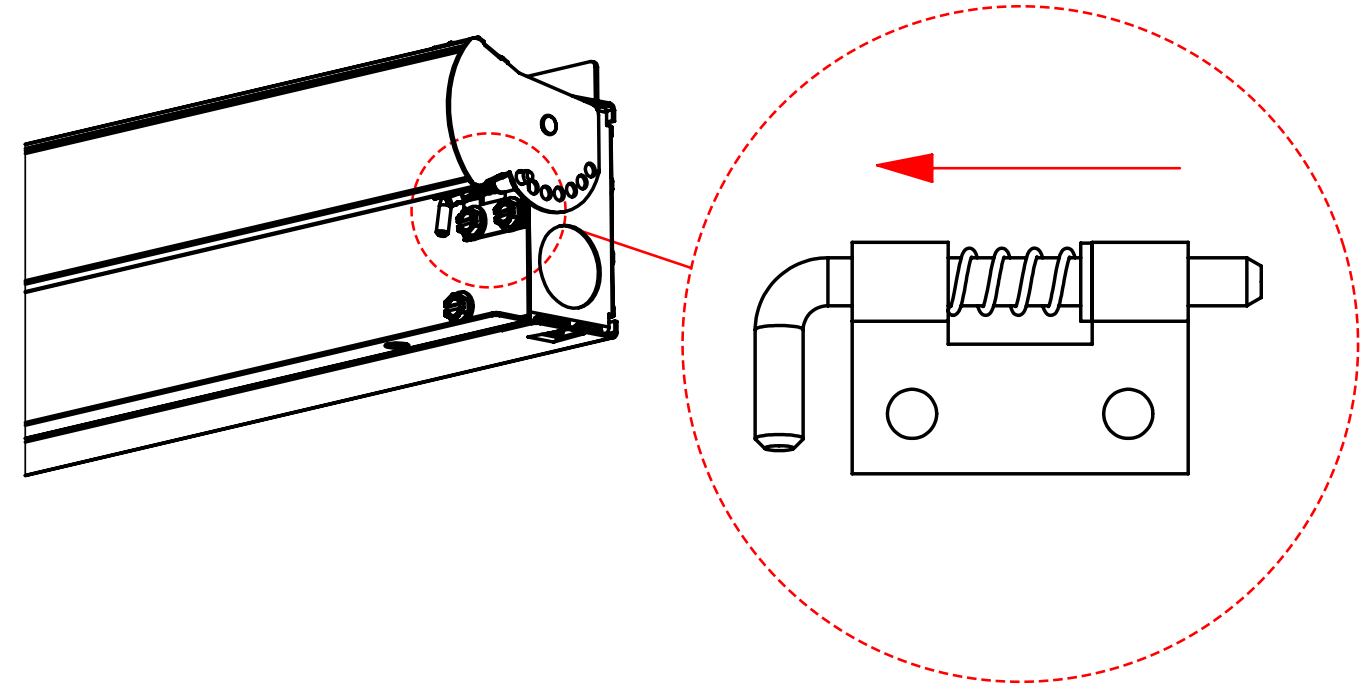
1. Carefully remove fixture(s) from box and remove protective foam. Lift fixture into place and secure front mounting leg (or utilize mounting hole in housing cover for vertical mounting) to the cove using appropriate screws.



2. Bring electrical feed into the first fixture and make connections to branch circuit wires. Push all connections back into fixture and snap push-in conduit connector into 7/8" Holes.

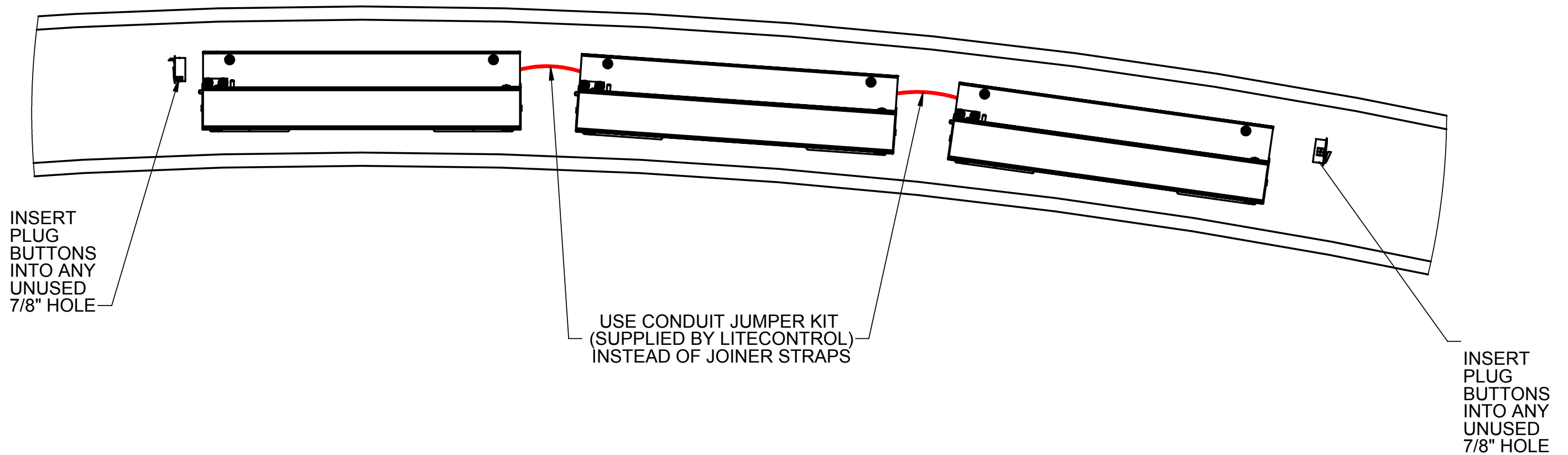


3. For all subsequent fixtures, place joiner strap over the corresponding mounting holes and screw through both holes.



4. To adjust fixture angle, compress adjuster spring and rotate LED module to desired position let go of the adjuster pin and ensure it snaps back into positioning hole. Refer to page 1 for details on various LED Mod positioning profiles.

CURVED COVE SETUP (TOP VIEW)



NOTE: IF NECESSARY, TO INSTALL FILM DIFFUSER, INSERT ONE SIDE OF FILM INTO GROOVES ON ONE SIDE OF LED MODULE EXTRUSION. GENTLY CURVE FILM AND INSERT INTO EXTRUSION GROOVE ON OPPOSITE SIDE.

DO NOT MODIFY OR ALTER THIS PRODUCT IN ANY WAY, OR INSTALL IN ANY FASHION WHICH IS CONTRARY TO THE INSTRUCTIONS CONTAINED HEREIN.

IF YOU HAVE ANY QUESTIONS REGARDING THIS PRODUCT OR THE INSTALLATION OF IT, PLEASE CONTACT LITECONTROL AT 781-294-0100

TO INSTALL FILM DIFFUSER, IF NECESSARY:

1. START WITH LAYING THE LENS IN PLACE.

2. INSERT LONG SIDE OF THE LENS INTO THE GROOVE ON ONE SIDE OF THE LED MODULE.

2. KEEPING THE FILM IN THE GROOVE, GENTLY CURVE FILM AND INSERT INTO OPPOSITE GROOVE ON ONE SIDE OF THE FIXTURE.

3. KEEP PRESSURE ON TOP AND BOTTOM OF FILM AND SLIDE TO OPPOSITE SIDE OF FIXTURE

